



BULLDOG 14

BULLDOG
WORKBOATS

British built – professionally engineered. The BULLDOG 14 metre is the smallest vessel in the multi-role workboat range and is designed to assist with a number of waterborne tasks; she is ideally suited for ports & harbours and marine civil solutions. The vessel provides a robust working platform for a variety of inland, harbour and coastal duties, including harbour maintenance, towing, pushing, cargo transport, buoy and anchor handling and dredging support. The BD14 is a proven 14m platform both in the UK and overseas.

The twin screw vessel features pushing knees forward, a folding knuckle crane and a substantial free deck area rated to a loading of 10t/m². Each of the multi-role vessels can be tailored / fully customised to the operator's individual needs with optional deck equipment and various configurations.

The vessel is engineered to meet all the requirements of the MCA Work Boat Code for category 3 waters, structural calculations will be done in accordance with Lloyd's Special Service Craft Rules. SMS, as builders of the BULLDOG range, are able to offer unique financing solutions in-house.



Principal Particulars

Length Overall	14.8 metres
Length Waterline	13.2 metres
Breadth (Mid)	6.0 metres
Depth (Mid)	1.80 metres
Design Draft	0.75 metres

Tank Capacities

Fuel Oil	17 m ³
Lube Oil	0.8 m ³
Dirty Oil	1.0 m ³
Bilge Water	1.0 m ³
Water Ballast Aft	28 m ³
Water Ballast Fwd	5 m ³

Performances

Speed	10 knots
Bollard Pull	4.7 tonnes
Crane Capacity	20 tonne metres "Truck & Marine"
Deck Load	10 tonnes/metre ²

Machinery

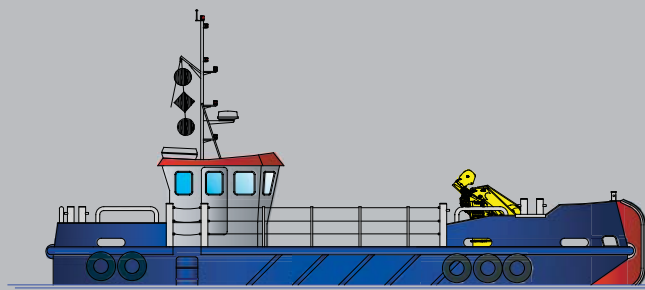
Main Engines	2 x 220 bhp (Doosan L136TI)
Stern Gear	Water lubricated stern gland
Propulsion	Twin 5 bladed nozzled
Generator	7 KVA Generator
Hydraulic System	Main engine driven hydraulic pumps
Bilge Pumps	2 x 70ltr/min (1 electric and 1 hand operated.)

Construction

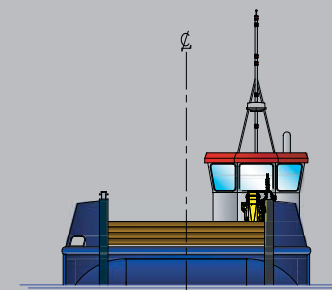
Hull, Deck and Sides	8mm 'Grade A' steel plating
Transverse Framing	@600mm centres
Bulkheads	8mm 'Grade A' steel plating
Wheelhouse	5mm 'Grade A' steel plating
Windows	6mm toughened glass
Door	Aluminium half glazed weathertight

General

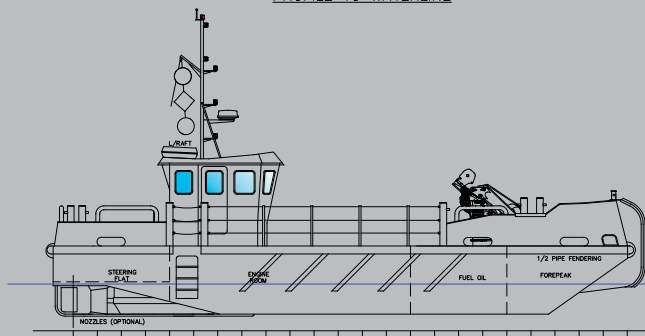
Push Knees	Rubber fendered
Deck	Optional fully sheathed with 50mm hardwood
Bulwarks	5mm plate
Stormboards	75mm softwood, 1m high between push knees



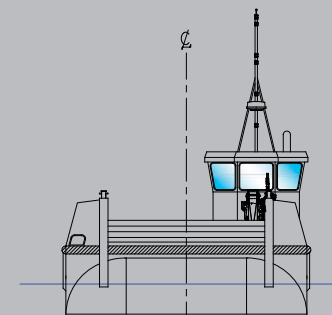
PROFILE TO WATERLINE



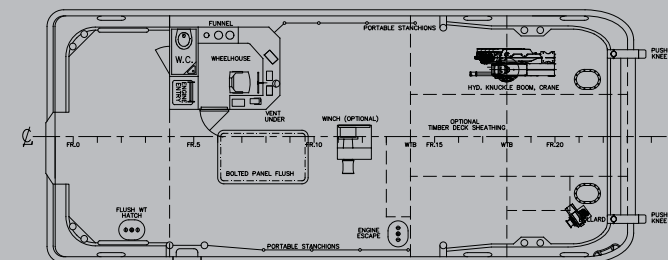
BODY PLAN TO WATERLINE



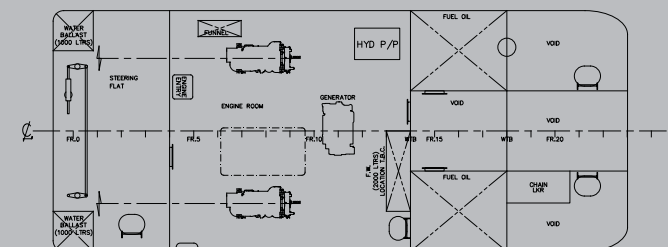
PROFILE



BODY PLAN



PLAN ON MAIN DECK



PLAN BELOW MAIN DECK



Unit 1, Ocean Quay, Belvidere Road,
Southampton, SO14 5QY, UK

Tel +44 (0)23 8114 1010

info@sms-marine.co.uk

www.sms-marine.co.uk

Specifications are indicative ONLY and subject to final design detail.